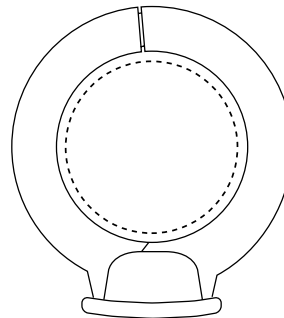
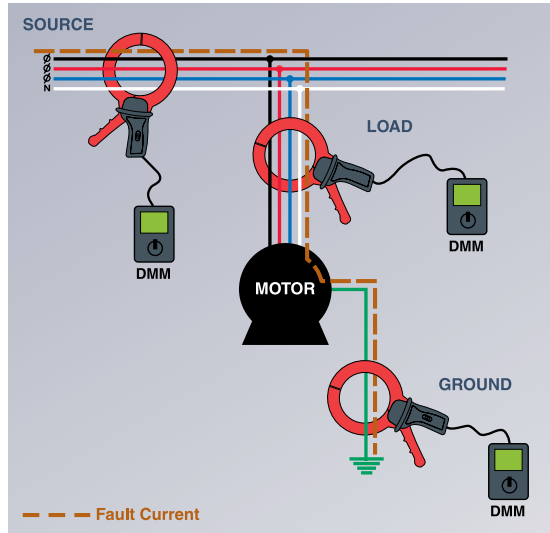


Model 2620

Check for leakage and locate insulation breakdowns on live circuits



Jaw Opening: 4.4" (112mm)
Conductor Size: 4.4" (112mm)



SPECIFICATIONS

MODEL	2620		
ELECTRICAL			
	4A Range	400A Range	
Current Range	500µA to 4A	500mA to 400A	
Output Signal	1mV/mA (4V max)	1mV/A (400mV max)	
Accuracy	500µA to 10mA	3% of Reading ± 1mV	
	10mA to 100mA	0.5% of Reading ± 0.5mV	
	100mA to 4A	0.5% of Reading ± 0.5mV	
	500mA to 10A	–	0.5% of Reading ± 0.5mV
	10A to 100A	–	0.35% of Reading ± 0.5mV
	100A to 400A	–	0.35% of Reading ± 1mV
Phase Shift	500µA to 10mA	<15°	
	10mA to 100mA	<10°	
	100mA to 4A	–	<1°
	500mA to 10A	–	<0.6°
	Load Impedance	1MΩ min	1MΩ min
Frequency Range	48 to 1000Hz	48 to 1000Hz	
MECHANICAL			
Dimensions	11.22 x 6.89 x 1.77" (285 x 175 x 45mm)		
Weight	2.87 lbs (1300g)		

FEATURES

- Very high sensitivity
- Differential or leakage current from 500µA
- Current up to 400A
- Two switch-selectable measurement ranges: 4AAC/400AAC
- Large inside jaw diameter allows use on large or multiple conductors
- Works with single-, dual- and three-phase systems
- Connect directly to DMMs on mV or VAc range

CATALOG NO.	DESCRIPTION
2125.52	AC Leakage Current Probe Model 2620 (4A-1V/A, 400A-1mV/A output)
Accessories (Optional)	
1971.01	Artificial Neutral Model AN-1