

**VMI induQ®**

**VMI07**
**BEST  
SELLER**

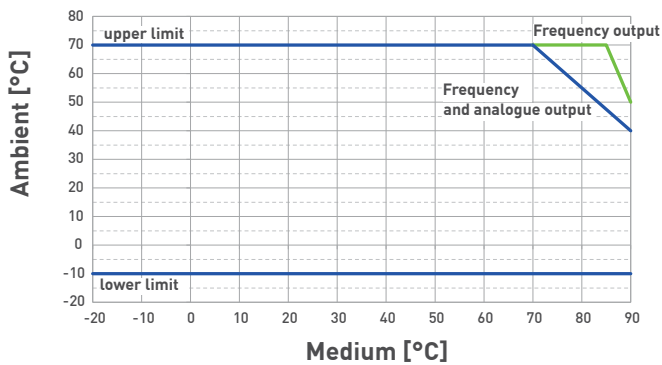
**VMI20**
**Your advantages**

Series	VMI
	<ul style="list-style-type: none"> <li>• Robust metal housing for high temperature and pressure</li> <li>• Wide measuring range 1:60 (1:50) and high measuring accuracy</li> <li>• Frequency or analogue and frequency output</li> <li>• Delivery including works calibration certificate</li> </ul>

Type	VMI07	VMI10	VMI20
<b>Characteristics</b>			
Nominal diameter	DN 7	DN 10	DN 20
Process connection	G½-ISO 228 male	G½-ISO 228 male or G¾-ISO 228 male	G 1-ISO 228 male
Inner diameter	4 x 10 mm	10 mm	20 mm
Flow range	0.5...30 l/min	1...60 l/min	5...250 l/min
Accuracy*	±1.5 % of reading ±0.3 % of range		
Repeatability*	1 %		
Response time	<500 ms		
Signal output starting from	0.4 l/min	0.9 l/min	4 l/min
Medium / min. conductivity of medium	Water and other conductive liquids / 50 µS/cm		
Medium temperature	-20...90 °C		
Ambient temperature	Min. -10 °C, max. see figure temperature limits		
Pressure rating	PN 16		
Flow indication	LED green, flow proportional flashing		
Degree of protection EN 60529	IP65 and IP67 (with attached cable socket)		
<b>Electrical data</b>			
Electrical connection	Plug connector M12 x 1		
Power supply	24 VDC (±10 %)		
Current consumption	≤ 150 mA		

\* Test conditions: Water 23 °C at 150 ±100 µS/cm; standard pulse rate

## Temperature limits



Three different versions available:

- Frequency output (1)
- Analogue output 4...20 mA and frequency output (2)
- Analogue output 0...10 V and frequency output (3)

Frequency output (1)	VMI07	VMI10	VMI20
<b>Pulse rate</b> → <b>Optional*</b>	1000 pulses/l 1...2000 pulses/l	500 pulses/l 1...1000 pulses/l	100 pulses/l 1...200 pulses/l
<b>Resolution</b> → <b>Optional*</b>	1.0 ml/pulse 1000...0.5 ml/pulse	2.0 ml/pulse 1000...1 ml/pulse	10 ml/pulse 1000...5 ml/pulse
<b>Signal shape</b>	Square wave signal, pulse duty ratio 50:50, Push-Pull		
<b>Signal current</b>	≤ 100 mA, current limited		

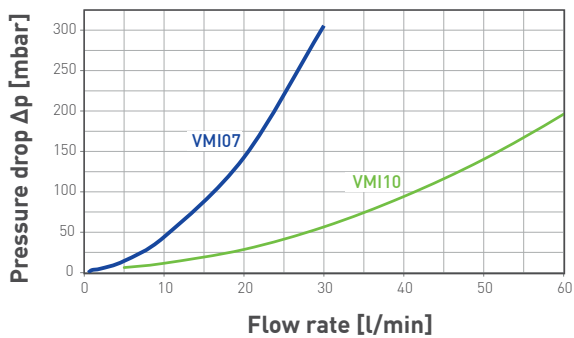
Analogue output 4...20 mA (2)	VMI07	VMI10	VMI20
<b>Corresponds to flow rate**</b>	0...20 l/min or 0...30 l/min	0...40 l/min or 0...60 l/min	0...200 l/min or 0...250 l/min
<b>Max. Burden</b>	250 Ω against GND		

Analogue output 0...10 V (3)	VMI07	VMI10	VMI20
<b>Corresponds to flow rate**</b>	0...20 l/min or 0...30 l/min	0...40 l/min or 0...60 l/min	0...200 l/min or 0...250 l/min

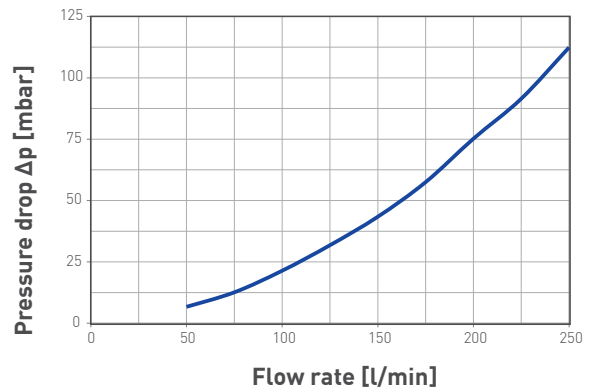
\* Factory configurable

\*\* Other ranges available on request

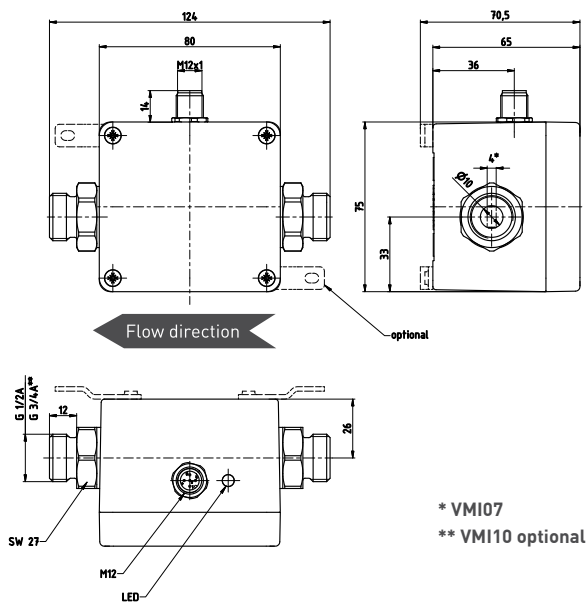
Typical pressure drop VMI07 / VMI10



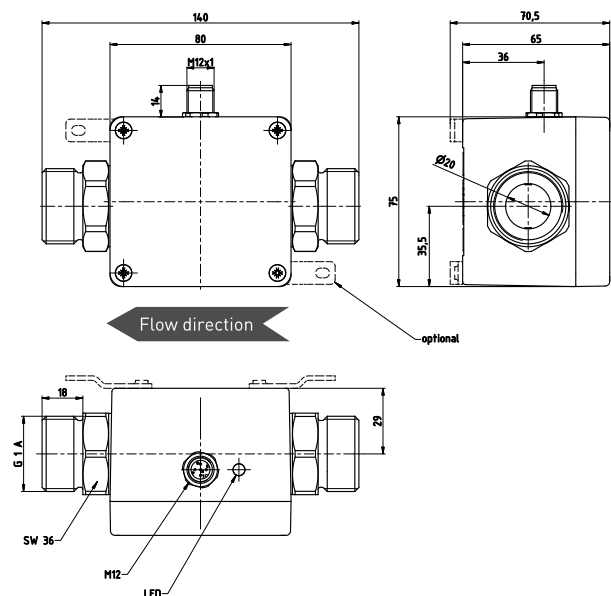
Typical pressure drop VMI20



VMI07 / VMI10



VMI20



## Materials

## Not in contact with fluid

## Housing

Casted aluminium

## In contact with fluid

## Electrodes

Stainless steel 1.4571

## Process connections

Stainless steel 1.4571

## Measuring pipe

PEEK-GF30

## O-rings

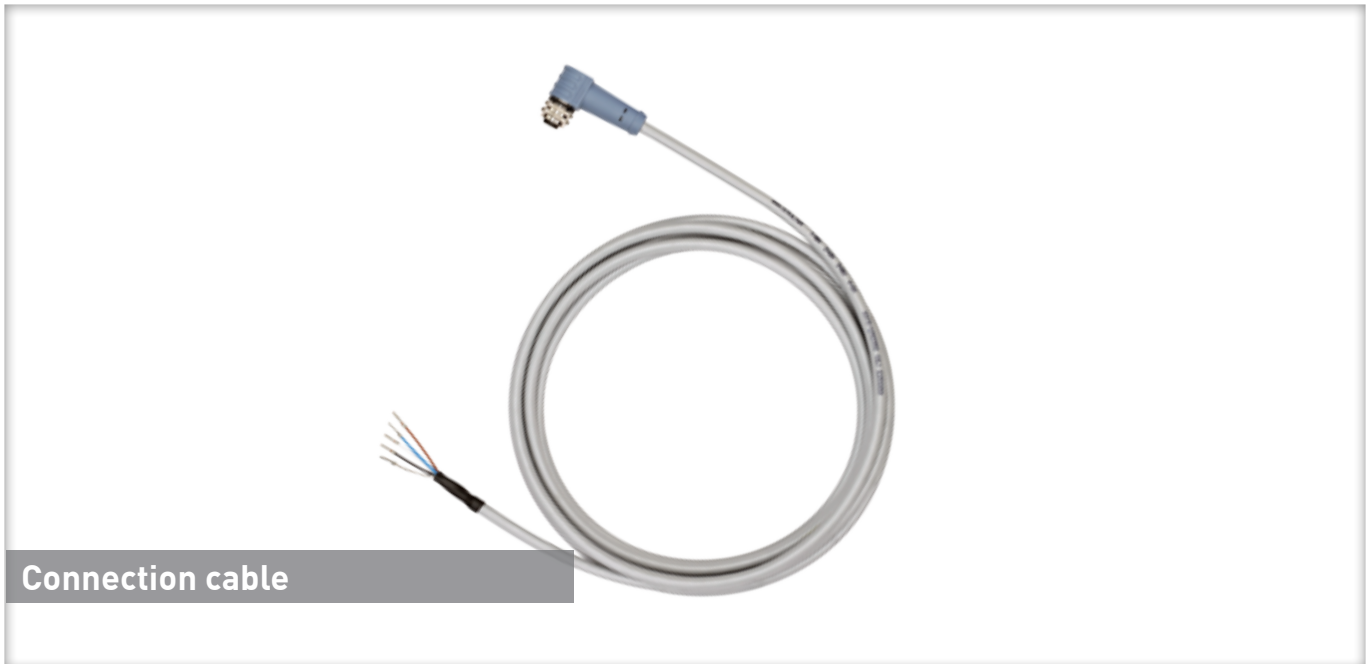
EPDM / FKM optional

Order code					
Type					
VMI		VMI			
Nominal diameter / Process connection					
<b>DN 07 / G½ male thread</b>					
<b>Output signals</b>		<b>corresponds to flow rate</b>			
Frequency signal			07A		OYGX000
Frequency signal and analogue signal 4...20 mA	0...20 l/min		07A		OYGI005
	0...30 l/min		07A		OYGI000
Frequency signal and analogue signal 0...10 V	0...20 l/min		07A		OYGU005
	0...30 l/min		07A		OYGU000
<b>DN 10 / G½ male thread</b>					
<b>Output signals</b>		<b>corresponds to flow rate</b>			
Frequency signal			10A		OYGX000
Frequency signal and analogue signal 4...20 mA	0...40 l/min		10A		OYGI005
	0...60 l/min		10A		OYGI000
Frequency signal and analogue signal 0...10 V	0...40 l/min		10A		OYGU005
	0...60 l/min		10A		OYGU000
<b>DN 10 / G¾ male thread</b>					
<b>Output signals</b>		<b>corresponds to flow rate</b>			
Frequency signal			10E		OYGX000
Frequency signal and analogue signal 4...20 mA	0...40 l/min		10E		OYGI005
	0...60 l/min		10E		OYGI000
Frequency signal and analogue signal 0...10 V	0...40 l/min		10E		OYGU005
	0...60 l/min		10E		OYGU000
<b>DN 20 / G1 male thread</b>					
<b>Output signals</b>		<b>corresponds to flow rate</b>			
Frequency signal			20A		OYGX000
Frequency signal and analogue signal 4...20 mA	0...200 l/min		20A		OYGI005
	0...250 l/min		20A		OYGI000
Frequency signal and analogue signal 0...10 V	0...200 l/min		20A		OYGU005
	0...250 l/min		20A		OYGU000
Mounting straps					
Without (standard)				SS	
With mounting straps				LS	
Material O-rings					
EPDM (Standard)					0
FKM (Option)					1
<b>Example order number</b>			<b>VMI</b>	<b>07A</b>	<b>SS</b>
			<b>0</b>	<b>OYGX000</b>	

BEST  
SELLER

Type	Nominal diameter		Order number				
VMI	DN 7	G½ male thread, frequency signal without mounting straps, material O-rings: EPDM	VMI	07A	SS	0	OYGX000
	DN 10		VMI	10A	SS	0	OYGX000
	DN 20		VMI	20A	SS	0	OYGX000

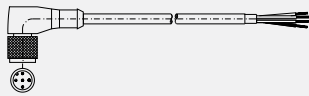
## Accessories



Connection cable

### Order code

#### Accessories



Connection cable with 4-pin cable socket M12 x 1, angle type moulded lead, sheathing material PUR, shielded, (Tmax = 80 °C)  
UL-approval

#### Length

#### Order number

3 m	XVT2053
5 m	XVT2009
10 m	XVT2070

