

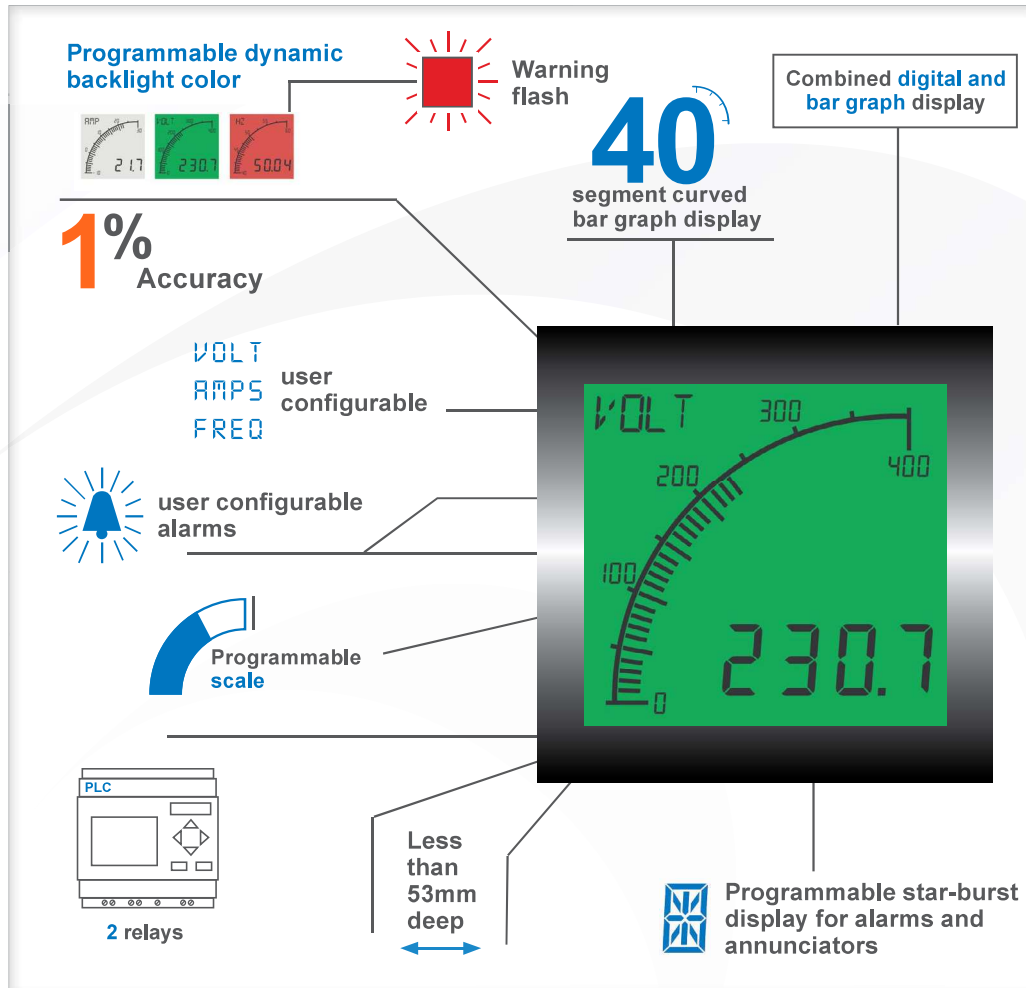
Simpson®

MADE IN THE USA SINCE 1936

RELIABILITY BEYOND MEASURE



Simpson *EAGLE* World's Smartest Meter



Overview

Measurement:

- Volts: 0-600 AC or DC
- Amps: 0-5A Direct
0-10,000A via CT
- Frequency: 2Hz-400Hz

Outputs:

- 2x Relays
- 120 VAC

Input Power

- 100-240VAC

Configuration:

- PC Application via USB

Available in Rate and
Process Meter



Open-type Measuring
and Testing Equipment
E469787

Key Features

- User configurable to measure voltage, current or frequency via APM application, simply connect to your computer via USB. Free software download at www.simpsonelectric.com
- Main power 100-240VAC - no additional power supply needed.
- User-programmable bar graph and alarms to immediately alert operators when a parameter is out of range.
- 4 character messaging area displays custom messages, alarms and annunciators.
- Interface to other equipment using control relays included.
- Available with or without control relays.
- Field configurable for 120VAC output for alarm to sound or light.

Go to www.simpsonelectric.com for further information

Simpson *EAGLE*

World's Smartest Meter



Specifications

POWER SUPPLY

Input	100 - 240VAC
Max Power	1.6W
Supply Frequency	47-63Hz

ENVIRONMENTAL

Temperature - operating	-10 to +60°C
Temperature - storage	-40 to +70°C
IP rating (from the front)	IP65, NEMA type 4 and NEMA type 12

DISPLAY

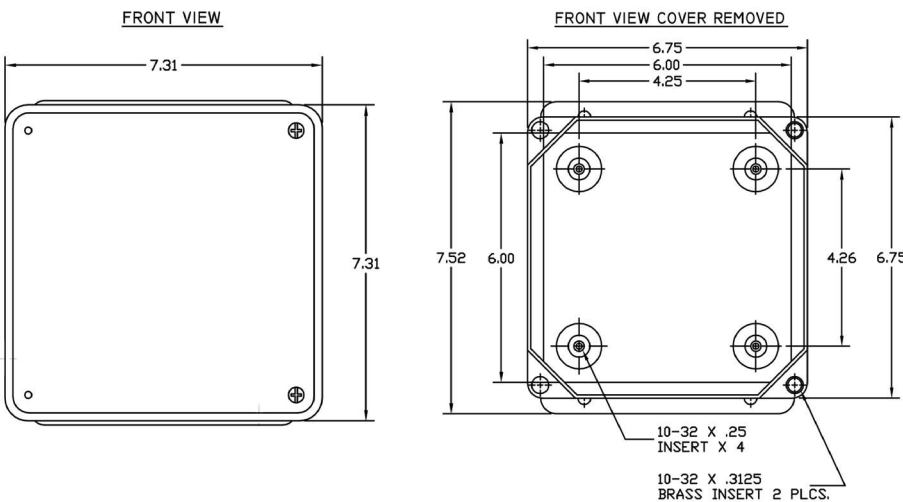
User Configurable Backlight Colors	Red, Green, White
------------------------------------	-------------------

CERTIFICATION

	CE, RoHS, UL
--	--------------

MECHANICAL

Dimensions	7.31 in x 7.31 in x 4.92 in
Connection Type	Screw Terminals
Wire Gauge	0.8mm ² - 3.3mm ² (18AWG to 12AWG)
Weight	4 lb.
Software	Free Download At www.simpsonelectric.com



NOTES:

- ENCLOSURE MATERIAL MADE OF GRAY (RAL 7036) HOT MOLDED FIBERGLASS REINFORCED POLYESTER.
- U.L. LISTED PER STD. 508. (FILE# E54315)
- CSA CERTIFIED PER STD. C22.2 NO.94. (FILE#LR36508)
- NEMA RATED TYPE 3, 3R, 3S, 4,4X,12 AND 13.
- IEC 529 RATED IP 68.
- TEMPERATURE RANGES FROM -50 DEG C TO 150 DEG C.
- SELF EXTINGUISHING AND HALOGEN FREE.
- CABINETS ARE MAINTENANCE FREE AND CORROSION RESISTANT.
- VENT INSTALLED FOR AIR CIRCULATION.

Distributed By



Simpson *EAGLE* World's Smartest Meter

Simpson *EAGLE* - Part Number Configurator

EAGLE meter can be configured by beginning with “EAGLE-” then making an entry in each section.

Example: EAGLE-1-1-5-0-0-0-0 = Enclosure with one M2 meter and no relays.

Example: EAGLE-1-4-5-5-6-7-1 = Enclosure with four meters: two M2 meters, one Rate & one Process. With six Relays.

ENCLOSURE	NUMBER of METERS	METER 1	METER 2	METER 3	METER 4	RELAYS
1 - YES	1 2 3 4	5 - M2, ACV, DCV,ACA, FREQ 6 - RATE 7 - PROCESS	0 - NO METER 5 - M2, ACV, DCV,ACA, FREQ 6 - RATE 7 - PROCESS	0 - NO METER 5 - M2, ACV, DCV,ACA, FREQ 6 - RATE 7 - PROCESS	0 - NO METER 5 - M2, ACV, DCV,ACA, FREQ 6 - RATE 7 - PROCESS	0 - NO 1 - YES <i>Each 5 will come with two relays, and each 6 & 7 will come with one.</i>

ACCESSORIES

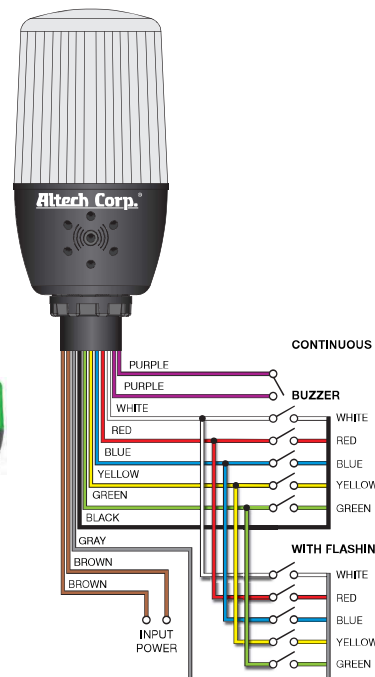
- 48750** USB Cable
- 48751** 6ft Power Cord
- 48752** 95db Sound Alert
- 48753** Multi Color LED Light w/ Buzzer
- 48754** 500mm Pole Mount
- 48755** Short Base
- 48756** Pole Adapter



Multi-Color LED Light 48753
Multi-function LED signal tower
5 colors, Ø55mm
with Buzzer and Flasher



- Single Unit - 5 colors: White, Red, Blue, Yellow, Green.
One unit can light up in 5 different colors.
- Single color unit is also available (24V only)
- Flashing and normal LED mode available in same module.
- 90 dB Buzzer
- Multi-function LED signal tower.
- Continuous mode or flashing mode.
- M22x1.5 mm mounting option
- Direct mounting on the cabinet
- Pole mounted for better viability



Pole Connection Accessories

