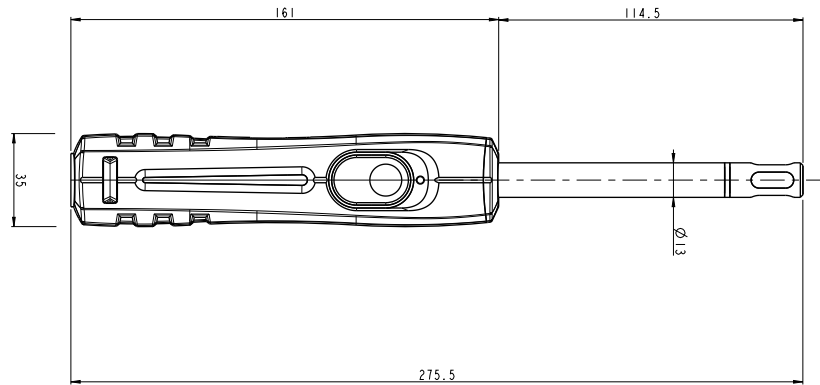




## Hygrometry probe

Part No.	Measuring units	Measuring range	Accuracy*	Resolution	Compatible devices
SHR 110 SHRF 1101	Relative humidity: % RH	From 0 to 100% RH	Accuracy (Repeatability, linearity, Hysteresis): $\pm 1.5\%$ RH (from 15°C to 25°C and from 3 to 98% RH) Factory calibration uncertainty: $\pm 0.88\%$ RH Temperature dependence: $\pm 0.04 \times (T-20)$ % RH (if $T < 15^\circ\text{C}$ or $T > 25^\circ\text{C}$ )	0.1% RH	HQ 210 VT 210 AMI 310
SHR 110 SHRF 1101	Absolute humidity: g/m <sup>3</sup>	From 0 to 600 g/m <sup>3</sup>	-	0.1 g/m <sup>3</sup>	HQ 210 VT 210 AMI 310
SHR 110 SHRF 1101	Enthalpy: kJ/kg	From 0 to 10000 kJ/kg	-	0.1 kJ/kg	HQ 210 VT 210 AMI 310
SHR 110 SHRF 1101	Combination ratio: g/kg	From 0 to 10000 g/kg	-	0.1 g/kg	HQ 210 VT 210 AMI 310
SHR 110 SHRF 1101	Wet temperature: °C, °F	From -50 to +100°C	-	0.1°C	HQ 210 VT 210 AMI 310
SHR 110 SHRF 1101	Dew point: °C <sub>td</sub> , °F <sub>td</sub>	From -50 to +100°C <sub>td</sub>	-	0.1°C <sub>td</sub>	HQ 210 VT 210 AMI 310
SHR 110 SHRF 1101	Temperature: °C, °F	From -20 to +80°C	-	0.1°C	HQ 210 VT 210 AMI 310

Response time T<sub>93</sub>: relative humidity <10 s / temperature 7 s.



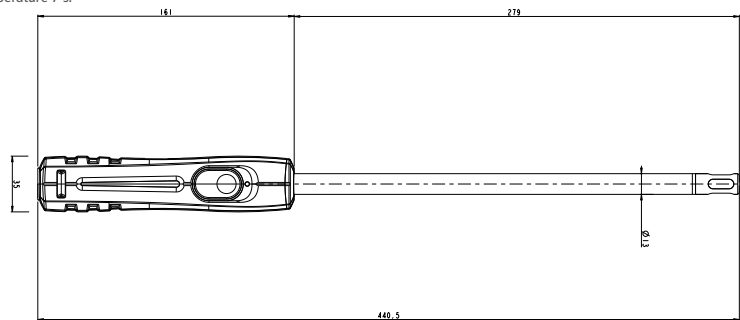
\*Radiofrequency model : maximum range between the probe and the device of 10m in free field without obstruction.

\*\*All the accuracies indicated in this technical datasheet were stated in laboratory conditions, and can be guaranteed for measurements carried out in the same conditions, or carried out with calibration compensation.

## High temperature Hygrometry probe

Part No.	Measuring units	Measuring range	Accuracy*	Resolution	Compatible devices
SHR 300 SHRF 300**	Relative humidity: %RH	From 0 to 100% RH	Accuracy (Repeatability, linearity, Hysteresis): $\pm 1.5\%$ RH (from 15°C to 25°C and from 3 to 98% RH) Factory calibration uncertainty: $\pm 0.88\%$ RH Temperature dependence: $\pm 0.04 \times (T-20) \% \text{ RH}$ (if $T < 15^\circ\text{C}$ or $T > 25^\circ\text{C}$ )	0.1% RH	HQ 210 VT 210 AMI 310
SHR 300 SHRF 300**	Absolute humidity: g/m <sup>3</sup>	From 0 to 600 g/m <sup>3</sup>	-	0.1 g/m <sup>3</sup>	HQ 210 VT 210 AMI 310
SHR 300 SHRF 300**	Enthalpy: kJ/kg	From 0 to 10000 kJ/kg	-	0.1 kJ/kg	HQ 210 VT 210 AMI 310
SHR 300 SHRF 300**	Combination ratio: g/kg	From 0 to 10000 g/kg	-	0.1 g/kg	HQ 210 VT 210 AMI 310
SHR 300 SHRF 300**	Wet temperature: °C, °F	From -50 to +100°C	-	0.1°C	HQ 210 VT 210 AMI 310
SHR 300 SHRF 300**	Dew point: °C <sub>td</sub> , °F <sub>td</sub>	From -50 to +100°C <sub>td</sub>	$\pm 0.6\%$ of reading $\pm 0.5^\circ\text{C}_{td}$	0.1°C <sub>td</sub>	HQ 210 VT 210 AMI 310
SHR 300 SHRF 300**	Temperature: °C, °F	From -40 to +180°C	$\pm 0.3\%$ of reading $\pm 0.25^\circ\text{C}$	0.1°C	HQ 210 VT 210 AMI 310

Response time T<sub>63</sub>: relative humidity <10 s / temperature 7 s.



\*All the accuracies indicated in this technical datasheet were stated in laboratory conditions, and can be guaranteed for measurements carried out in the same conditions, or carried out with calibration compensation.  
\*\*Radiofrequency model: maximum range between the probe and the device of 10m in free field without obstruction.