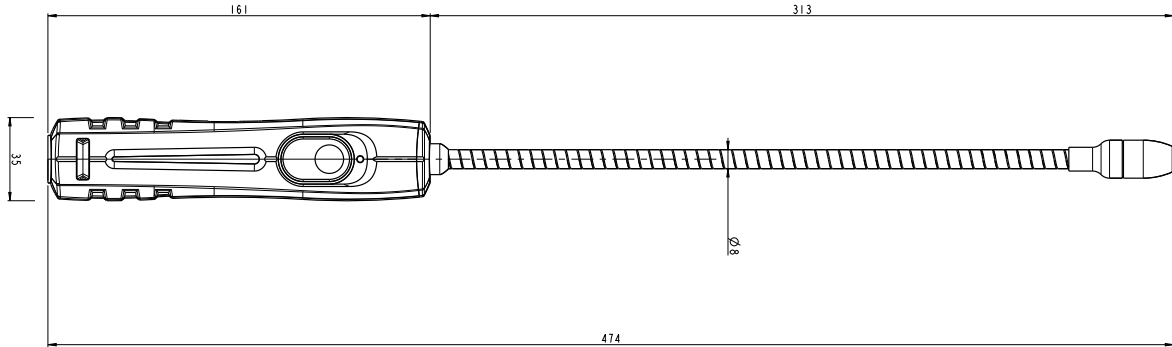


## Gas leak probe

Part No.	Measuring units	Measuring range	Accuracy*	Resolution	Compatible devices
SFG 300	ppm % LEL % VOL	From 0 to 10 000 ppm (GPL: 0-1800) From 0 to 20% LEL From 0 to 1% VOL	±20% of full scale	1 ppm 0.01% LEL 0.001% VOL	MP 210 AMI 310

Response time  $t_{95}$ : 10 s.



\*All the accuracies indicated in this technical datasheet were stated in laboratory conditions, and can be guaranteed for measurements carried out in the same conditions, or carried out with calibration compensation.