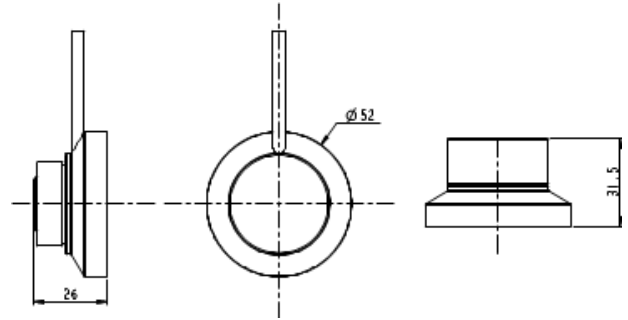




## Light probe



Part No.	Measuring units	Measuring range	Accuracy*	Resolution	Spectral range (f1)**	Directional sensitivity (f2)**	Linearity (f3)**	Appareil compatible
SLU	lux, klux, fc	From 0 to 150 000 lux From 0 to 13935 fc	±1% of reading or ±2 lux	From 0 to 999.9 lux: 0.1 lux From 1000 to 9999 lux: 1 lux From 10.00 to 99.99 klux: 0.01 klux From 100.0 to 150.0 klux: 0.1 klux	Compliant with the standard photopic curve V (λ) NF C 42-710 C class	<2%	<1%	HQ 210 AMI 310

Response time  $t_{95}$ : <1 s.