

**GP 500 - 1**

**GP 500 - 2**

High accuracy **0.01 Pa**

**Leak test**

Automatic **Autozero**

**Modifiable table**

Generation of pressure

**Transportable standard**

**NEW**

THE PRESSURE GENERATOR ALLOWS TO ADJUST AND CALIBRATE MEASUREMENT INSTRUMENTS IN LABORATORY OR ON-SITE.

**DESIGNED FOR PROFESSIONALS OF METROLOGY**

The GP 500 instrument has 2 versions :

GP500 - 1 .....from -2500 to +2500 Pa

GP500 - 2 .....from -10 000 to 10 000 Pa

Specific connectors

20 programs with adjustable generations

Larged backlighted display

Solid transport case

Configuration software


Aluminium housing with adjustable carrying handle

**COMPLIES WITH EN 61010-1**



# FEATURES

## MAIN TECHNICAL FEATURES

Display	<b>Backlighted graphical LCD</b> Size : <b>85 x 51 mm</b> Resolution : <b>240 x 180 pixels</b>
Measuring ports connection	<b>Ribbed connectors Ø 4x7 mm tubes</b>
Generation ports connection	<b>Quick-coupling connectors DN2.7</b>
Power supply	<b>100 - 240 Vac ±10% / 50-60 Hz or on battery</b>
Consumption	<b>19 W</b>
Battery life	<b>8 hours</b>
PC interface	<b>USB</b>
Operating temperature	<b>From 0 to + 50° C</b>
Storage temperature	<b>From -10 to + 70° C</b>
Environment	<b>Air, non-aggressive gases, non-corrosive gases</b>
Languages	<b>French, English</b>
Weight	<b>4.5 kg</b>
Conformity	<b>EMC 2004/108/CE and EN 61010-1 directives</b>
Fuse on the phase and on the neutral	<b>Time delay 1 A 250 V</b>
Instrument to connect to earth protection	

## TECHNICAL FEATURES IN PRESSURE MEASUREMENT AND PRESSURE GENERATION

### GP 500 - 1

Measuring range	<b>From -2500 to +2500 Pa</b>
Accuracy* in measurement	<b>±(0.15%  Reading value  +0.8) Pa</b>
Generation Range	<b>From -5 to -2500 Pa and from +5 to +2500 Pa</b>
Accuracy* in generation	<b>From ±5 to ±2500 Pa : ±1 Pa</b>
Resolution	From -2500 to -1000 Pa : <b>1 Pa</b> From -1000 to -100 Pa : <b>0.1 Pa</b> From -100 to +100 Pa : <b>0.01 Pa</b> From +100 to +1000 Pa : <b>0.1 Pa</b> From +1000 to 2500 Pa : <b>1 Pa</b>
Autozero	<b>Automatic</b> <b>Manual (via keypad)</b>
Units	<b>Pa, daPa, hPa, mmH<sub>2</sub>O, mmHg, mbar, inWg</b>

### GP 500 - 2

Measuring range	<b>From -10 000 to +10 000 Pa</b>
Accuracy* in measurement	<b>±(0.15%  Reading value  +6 Pa) Pa</b>
Generation range	<b>From -10 000 to -50 Pa and from +50 to +10 000 Pa</b>
Accuracy* in generation	From -10 000 to -50 Pa : <b>±10 Pa</b> From +50 to +1000 Pa : <b>1 Pa</b> From +1000 to +10 000 Pa : <b>10 Pa</b>
Resolution	From -10 000 to -1000 Pa : <b>1 Pa</b> From -1000 to -100 Pa : <b>0.1 Pa</b> From -100 to +100 Pa : <b>0.01 Pa</b> From +100 to +1000 Pa : <b>0.1 Pa</b> From +1000 to +10 000 Pa : <b>1 Pa</b>
Autozero	<b>Automatic</b> <b>Manual (keypad)</b>
Units	<b>Pa, daPa, hPa, mmH<sub>2</sub>O, mmHg, mbar, inWg</b>

## 2 operating

**modes**

- MEASUREMENT
- GENERATION

GP 500 INSTRUMENT IS SUPPLIED WITH :

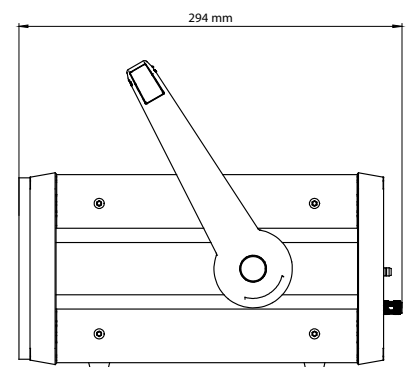
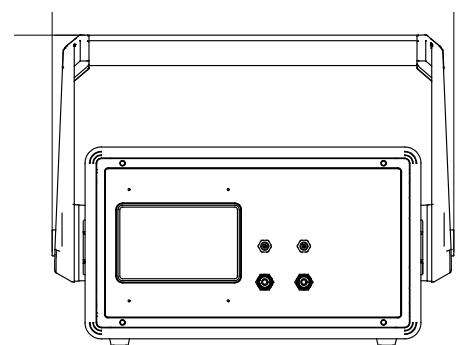
- 2 x 1 m of silicone tube
- A power supply cable
- 1 USB cable
- Configuration software
- 2 quick-coupling DN 2.7
- Calibration certificate
- User manual

### MAINTENANCE

We carry out calibration, adjustment and maintenance of your devices to guarantee a constant level of quality of your measurements. As part of quality assurance standards, we recommend you to carry a yearly checking.

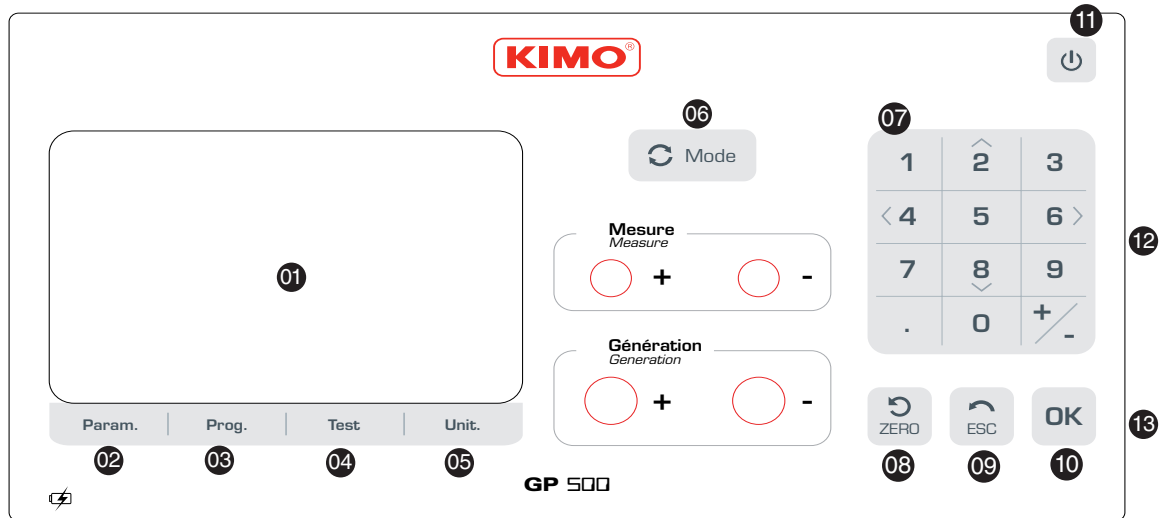
### WARRANTY

Instruments have 1-year guarantee for any manufacturing defect (return to our After-Sales Service required for appraisal).



\*All the accuracies indicated in this technical datasheet were stated in laboratory conditions, and can be guaranteed for measurements carried out in the same conditions, or carried out with calibration compensation.

# USER INTERFACE



- 01. Screen
- 02. Param. : configuration of the instrument
- 03. Prog. : configuration of pressure generation programs
- 04. Test : leak test
- 05. Unit. : units modification
- 06. Mode : mode selection : "Measure" or "Generation"
- 07. 12 keys keypad with navigation arrows
- 08. Zero : manual autozero
- 09. Esc : back
- 10. OK : validation of the selection
- 11. On/Off key
- 12. Power supply on the right side
- 13. USB port type B on the right side

## RAPIDITY AND STABILITY

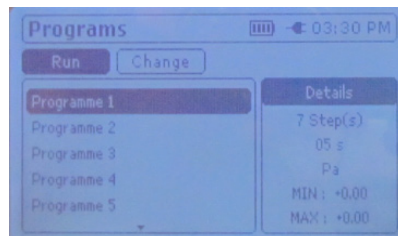
### MESUREMENT

The GP 500 is the ideal instrument for the measurement of a dynamic pressure.

### GENERATION

The pressure setpoints rapidly reached thanks to the enslavement of the pneumatic system are of a proven stability.

The GP500 also offers to configure programs allowing to automate the pressure generation. This easy-to-use function allows to save a precious time for serial controls.



The **Program** function allows to define the number and the duration of the different stages to reach. It is possible to save up to 20 different programs with 20 setpoints values (stages) by programm.

## AIR-TIGHTNESS TEST

### AIR-TIGHTNESS

The air-tightness test allows to test the integrity of an airflow network. With its configurable parameters, the air-tightness test gives clear and fast results of the situation, on-site or in laboratory.

[www.kimo.fr](http://www.kimo.fr)



**EXPORT DEPARTMENT**

Tel : + 33. 1. 60. 06. 69. 25 - Fax : + 33. 1. 60. 06. 69. 29

e-mail : [export@kimo.fr](mailto:export@kimo.fr)

Distributed by :

**techniCAL**  
Expanding possibilities

866-327-8731  
[www.techniCAL-sys.com](http://www.techniCAL-sys.com)

