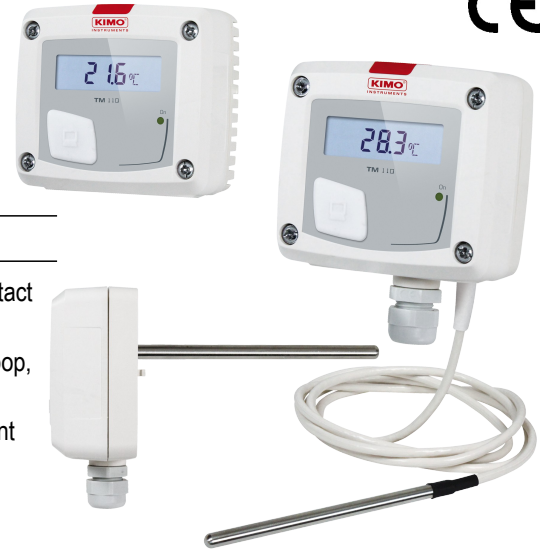


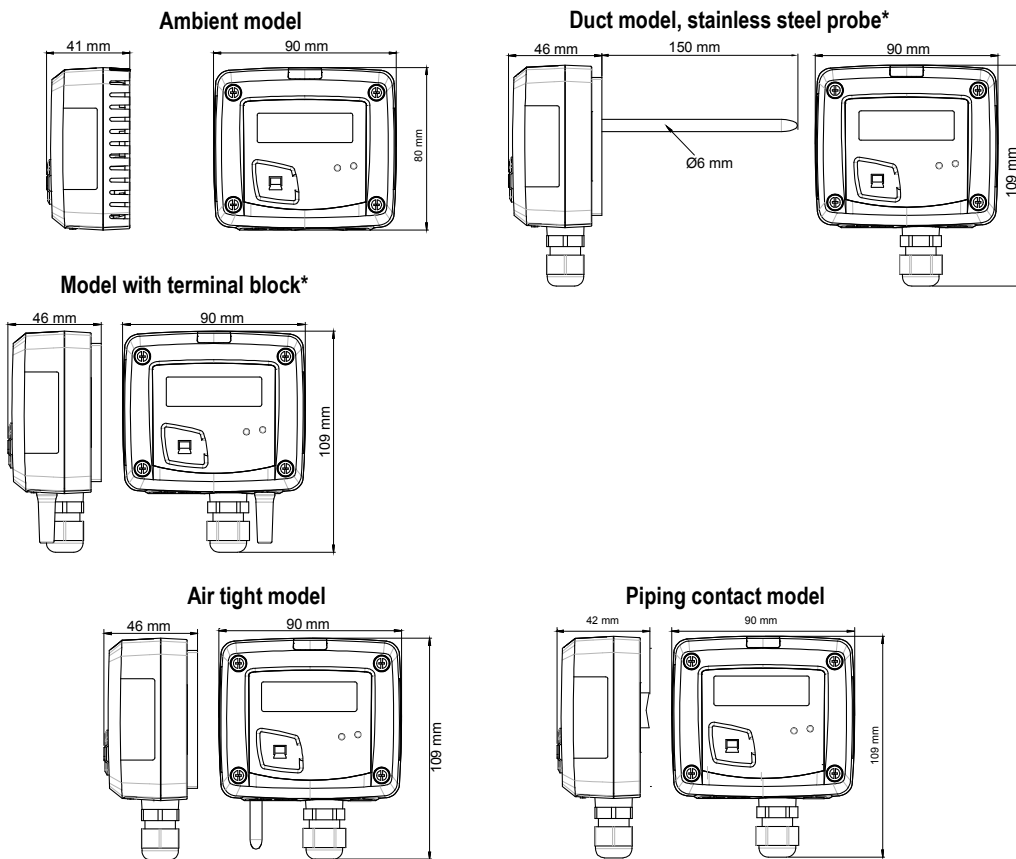
Temperature transmitter TM 110

KEY POINTS

- Range from 0 to 50°C (ambient model), from -20 to +80°C (duct, air tight and piping contact models) and from -100 to 400°C (model with Pt100 terminal block)
- 0-10 V output, active, power supply 24 Vac/Vdc (3-4 wires) or 4-20 mA output, passive loop, power supply from 16 to 30 Vdc (2 wires)
- ABS V0 housing, IP65 (remote, air tight, duct and piping contact models) or IP20 (ambient model), with or without display
- “¼ turn” system mounting with wall-mount plate
- Housing with simplified mounting system



FEATURES OF THE HOUSING



Material: ABS V0 as per UL94

Protection:

- duct and air tight models, model with terminal block and piping contact model: IP65
- ambient model: IP20

Display: LCD 10 digits.
Size: 50 x 17 mm

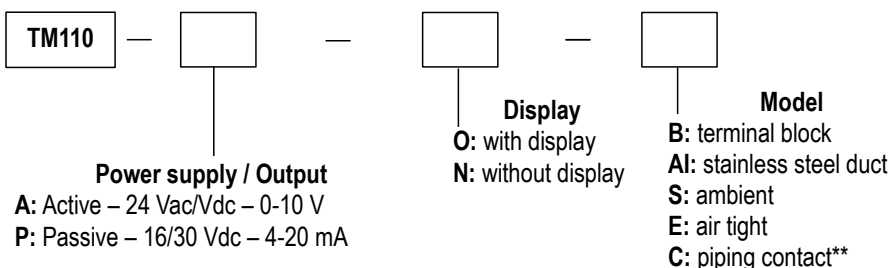
Height of digits: Values: 10 mm;
Units: 5 mm

Cable gland (duct model and model with terminal block):
For cables Ø8 mm maximum

Weight: 162 g

PART NUMBER

To order, just add the codes to complete the part number:



Example: TM110-POB

Temperature transmitter, passive 4-20 mA output, with display and with terminal block.

* several probes available in option.

** the piping contact sensor is available only in passive model without display, that is the following reference : TM 110 PNC

TECHNICAL FEATURES

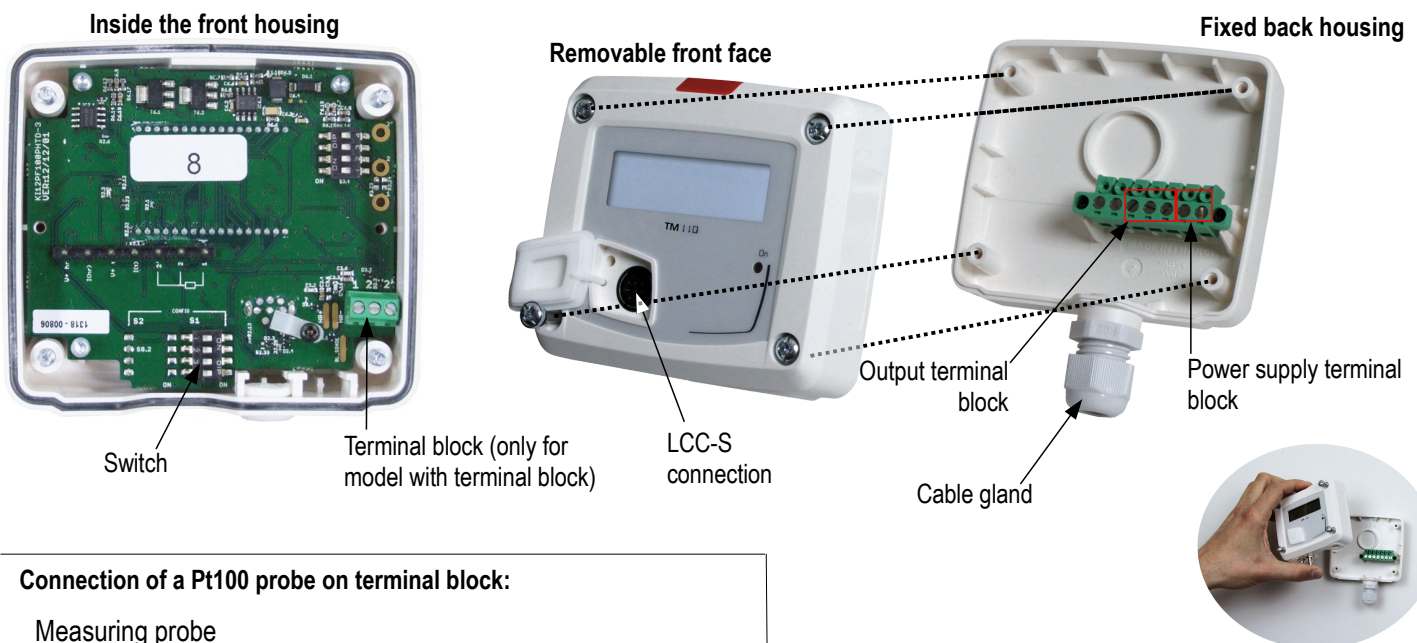
Unit of measurement	°C, °F
Measuring range	From 0 to 50°C (ambient model), from -20 to +80°C (duct, air tight and piping contact models) and from -100 to +400°C (model with terminal block)
Accuracy*	Pt100: ±0.5% of reading ±0.5°C NTC: ±0.3°C (from -40 to 70°C); ±0.5°C (outside the -40 to +70°C temperature range)
Type of sensor	Pt100 (model with terminal block and stainless steel duct, air tight and piping contact models) NTC (ambient model and duct model)
Response time	1/e (63%) 5 sec. (ambient) 1/e (63%) 15 sec. (piping contact) 1/e (63%) 20 sec. (airtight)
Resolution	0.1°C
Type of fluid	Air and neutral gases
Conditions of use (°C/%RH/m)	From 0 to +50°C. In non-condensing condition. From 0 to 2000 m.
Storage temperature	From -10 to +70°C

*All the accuracies indicated in this technical datasheet were stated in laboratory conditions, and can be guaranteed for measurements carried out in the same conditions, or carried out with calibration compensation.

TECHNICAL SPECIFICATIONS

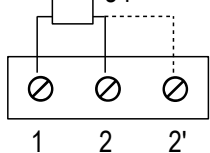
Output / Power supply	- active sensor 0-10 V (power supply 24 Vac/Vdc ±10%), 3-4 wires - passive loop sensor 4-20 mA (power supply 16/30 Vdc), 2 wires - common mode voltage <30 VAC - maximum load: 500 Ohms (4-20 mA) / minimum load: 1 K Ohms (0-10 V)
Consumption	2 VA (0-10 V) or 0.6 VA (4-20 mA)
European directives	2014/30/EU EMC; 2014/35/EU Low Voltage; 2011/65/EU RoHS II; 2012/19/EU WEEE
Electrical connection	Screw terminal block for cables from 0.05 to 2.5 mm ² or from 30 to 14 AWG Carried out according to the code of good practice
PC communication	USB-mini DIN cable
Environment	Air and neutral gases

CONNECTIONS



Connection of a Pt100 probe on terminal block:

Measuring probe



In case of a 2-wire probe used, carry out a shunt between 2 and 2'.

> Unit of measurement setting

To set the unit of measurement, put the on-off switch 4 as show beside.

Configurations	°C	°F
Combinations	1	1
	2	2
	3	3
	4	4

CONFIGURATION VIA LCC-S SOFTWARE (option)

An easy and friendly configuration with the software!

It is possible to configure intermediate ranges.



Caution : the minimum difference between the high range and the low range is 20.

Example: for a 0-100°C transmitter, the minimum delta of the range is 20°C. It is then possible to configure the transmitter from 0 to +100°C, or from 0 to +20°C...

- To access the configuration via software:
 - Set the DIP switches as shown beside.
 - Connect the cable of the LCC-S to the connection of the transmitter.
- Please refer to the user manual of the LCC 100 to make the configuration.

Configuration via PC



The configuration of the parameters can be done either with the DIP switch or via software (you can not combine both solutions).

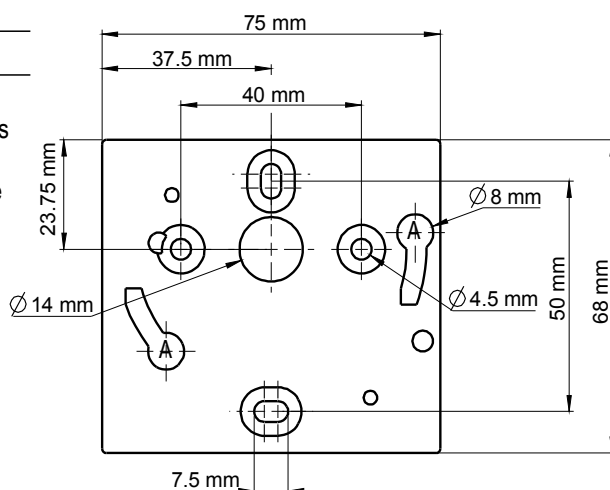
MOUNTING

To install the transmitter, mount the ABS plate on the wall (drilling: Ø6 mm, screws and pins are supplied).

Insert the transmitter on the fixing plate (see A on the drawing beside). Rotate the housing in clockwise direction until you hear a “click” which confirms that the transmitter is correctly installed.



Ambient model does not have any mounting plate. 4 fixing holes are present inside the back housing. Use them to install the transmitter on the required location.



MAINTENANCE

Please avoid any aggressive solvent. Please protect the transmitter and its probes from any cleaning product containing formalin, that may be used for cleaning rooms or ducts.

OPTIONS AND ACCESSORIES

- **KIAL-100A:** Power supply class 2, 230 Vac input, 24 Vac output
- **KIAL-100C:** Power supply class 2, 230 Vac input, 24 Vdc output
- **LCC-S:** configuration software with USB cable
- Pt100 2 or 3 wires or NTC stainless steel probe for duct and remote models



Only the accessories supplied with the device must be used.

PRECAUTIONS FOR USE

Please always use the device in accordance with its intended use and within parameters described in the technical features in order not to compromise the protection ensured by the device.

Once returned to KIMO, required waste collection will be assured in the respect of the environment in accordance with European guidelines relating to WEEE.

www.kimo.fr

Distributed by :



EXPORT DEPARTMENT
Tel : + 33. 1. 60. 06. 69. 25 - Fax : + 33. 1. 60. 06. 69. 29
e-mail : export@kimo.fr

techniCAL
Expanding possibilities
866-327-8731
www.techniCAL-sys.com

